

## SPECIFICATIONS

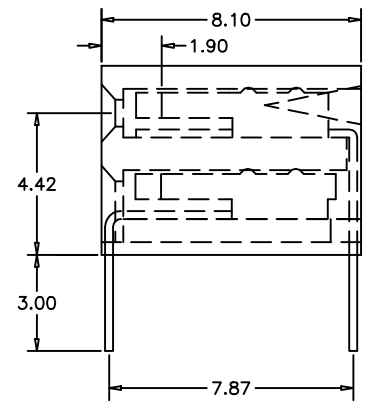
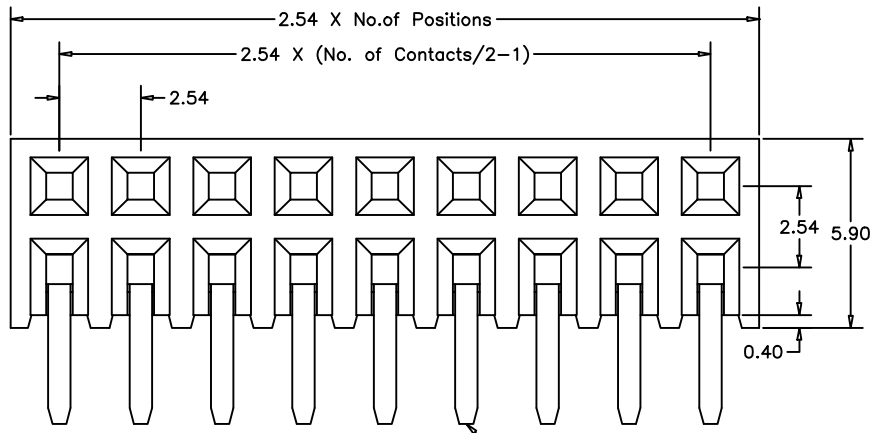
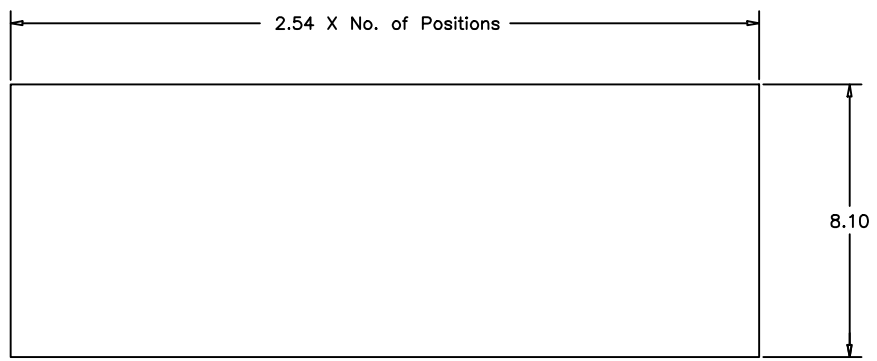
Current Rating: 3 Amps  
 Insulator Resistance: 5000 Megohms min.  
 Contact Resistance: 20 m ohms max.  
 Dielectric withstanding: AC 1000V  
 Operating Temperature: -40°C~+105°C  
 Contact Material: Phosphor Bronze  
 Insulator Material: Polyester, UL 94V-0  
 ●Standard: P.B.T.  
 Finish: Tin, Gold, or Duplex Plated  
 ●Standard: Gold Flash all over  
 Duplex Plating: Gold Plated on contact area  
 Tin Plating on solder area

PCFZ-XXR-XX-030-M-G

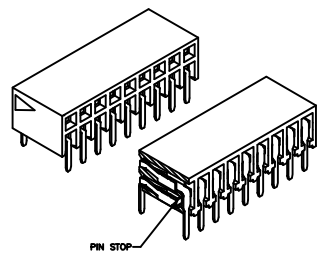
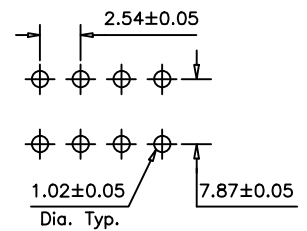
Number of Contacts ——— | ——— Pin Length mm  
 Contact Plating

Definition	Code
⊙ Tin plated:	VA
⊙ Gold plated:	
flash VB 10μ"	VE
3μ" VC 15μ"	VF
5μ" VD 30μ"	VJ
⊙ Duplex plating:	
flash VK 10μ"	VP
3μ" VL 15μ"	VN
5μ" VM 30μ"	VU
⊙ Standard:	VB

**APTOS Technology CONFIDENTIAL**  
 This document, and all information it contains, are the confidential, proprietary property of APTOS Technology. Disclosure, duplication or distribution of this document, or any information it contains, in whole or part, without prior written permission from APTOS Technology is strictly prohibited



### Recommended P.C.B. Layout



GENERAL TOLERANCE UNLESS OTHERWISE SPECIFIED	
XXX. ± X	.XX ± X
XX. ± X	.XXX ± X
X. ± X	X.' ± X'
.X ± X	.X' ± X'



REV. A	DRAWN	07/10/08	PCFZ Series 2.54 mm Socket - Side Entry
DATE 07/10/08	CHECKED		
SCALE 3:1	APPROVED		PRODUCT NO. PCFZ-XXR-XX-030-G
UNIT mm		SIZE A4	FILE NAME: PCFZ LF APD.DWG